



LIVING AREAS	FAMILY	4640 x 4160
	MEALS	3030 x 2910
BEDROOMS	BED 1	3430 x 3110
	BED 2	3000 x 3110
	BED 3	2990 x 3110
OUTDOORS	LIVING	3000 x 4400
TOTAL AREAS	HOUSE	115.51m ²
	GARAGE	25.07m ²
	PORCH	2.00m ²
	OUTDOOR LIVING	13.20m ²
	TOTAL AREA	155.78m ²
	TOTAL SQ	16.76sq.

This illustration is artists impression only

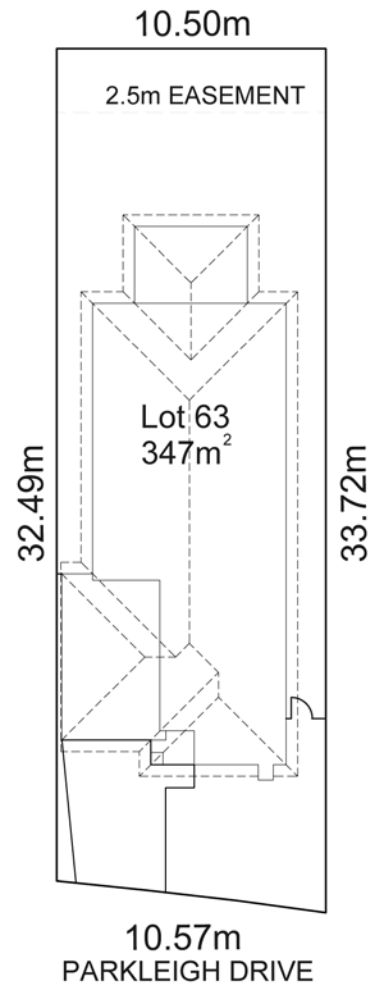
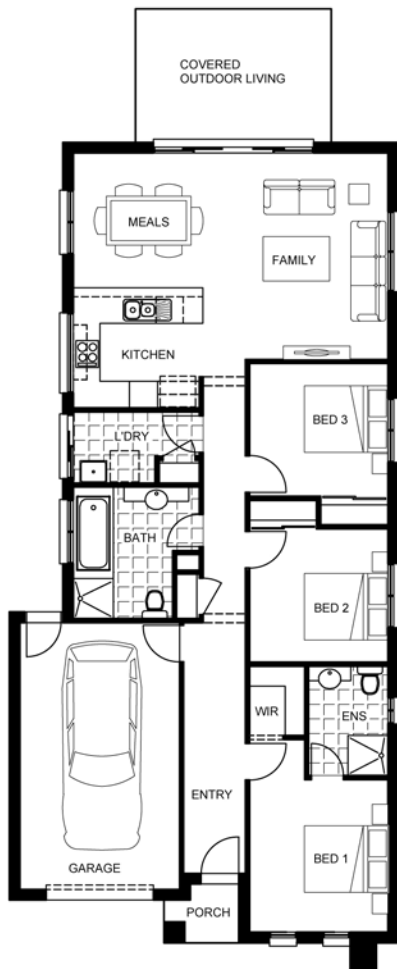
Lot 63 Parkleigh Drive - Stage 1

PREMIER TURNKEY

Sunrise 140

Alto Facade

\$314,900



837413

Pennyroyal
Coburns Road
Kurunjang VIC 3337

pennyroyal
at Kurunjang

Empire
Property Investors