



LIVING AREAS	FAMILY/	3750 x 6930
	DINING	
BEDROOMS	BED 1	3600 x 3300
	BED 2	3050 x 3100
	BED 3	3000 x 3100
	BED 4	3050 x 3000
OUTDOORS	LIVING	3240 x 3500
TOTAL AREAS	HOUSE	127.94m ²
	GARAGE	25.53m ²
	PORCH	2.40m ²
	OUTDOOR LIVING	11.34m ²
	TOTAL AREA	167.21m ²
	TOTAL SQ	18.0sq.

This illustration is artists impression only

24.02.2014

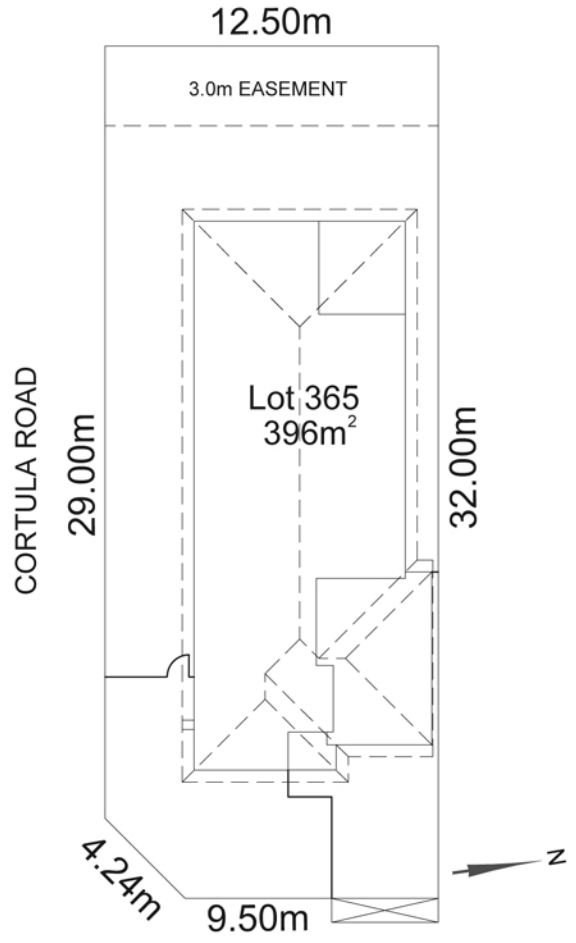
PREMIER TURNKEY

Wilkes 17

Sovereign Facade

Stage 3B

\$389,900



837429

Parks Edge
 Berwick-Cranbourne Road
 Cranbourne East VIC 3977

PARKSEGE
 AT CASEY FIELDS